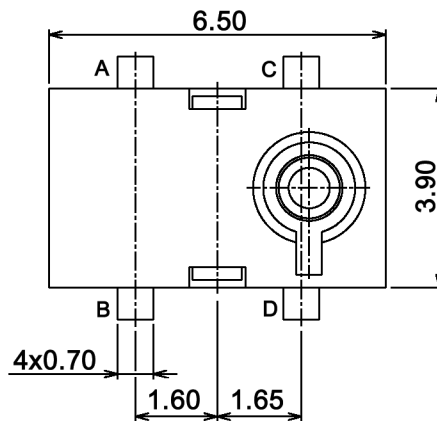
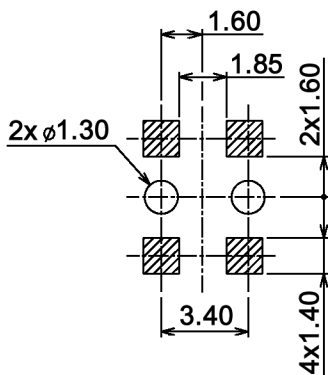
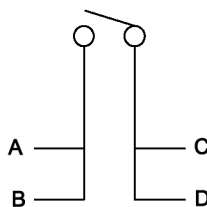


P.C.B. LAYOUT



CIRCUIT DIAGRAM



Compliance: RohS III (2015/863/EU)

Tolerances: $\pm 0.20\text{mm}$	Date	Name
	01/10	dr
Temperatures	06/20	dr
Rename	11/13	dr
Modifications	Date	Name

DTS 101 CP-T

30 19 90

knitter-switch

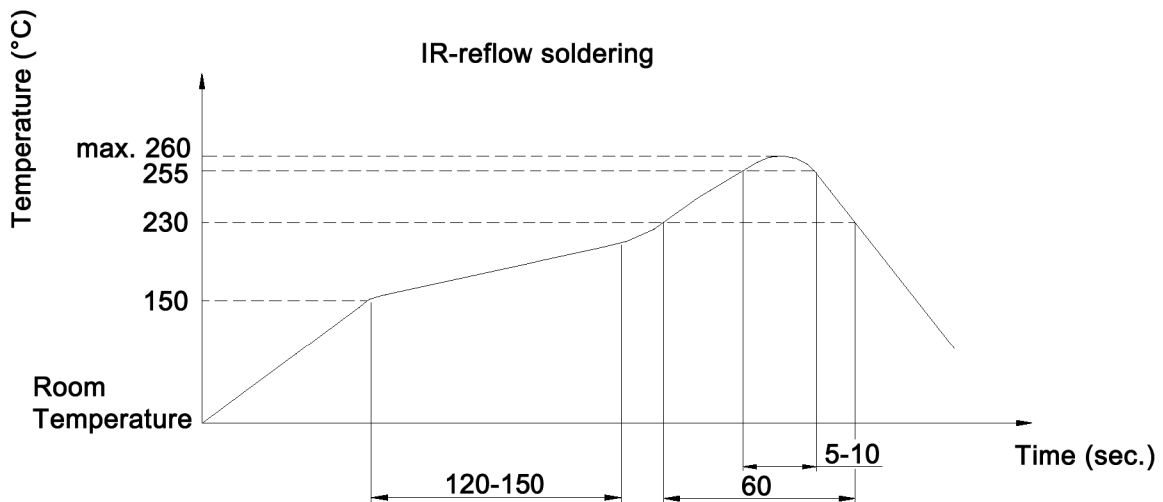
Page

1/2

Specifications:

Contact rating: 5mA, 5V DC
Contact resistance: 500mOhm max.
Insulation resistance: 100MOhm min. at 250V DC for 1 minute +/-5sec.
Dielectric strength: 250V AC (50/60Hz) for 1 minute
Operating temperature: -40°C to +85°C
Storage temperature: -40°C to +85°C
Mechanical life: 50 000 cycles
Operating force: 35gf max.
Material: Stem: high-temp. thermoplastic LCP UL94V-0
 Cover: high-temp. thermoplastic PA9T UL94V-0
 Contact: stainless steel, silver cladding
 Terminal: phosphor bronze, silver plated
 Base: high-temp. thermoplastic LCP UL94V-0, molded black

Soldering conditions:



Compliance: RohS III (2015/863/EU)

Tolerances: ±0.20mm			Date	Name	DTS 101 CP-T
			01/10	dr	
Temperatures	06/20	dr	knitter-switch		30 19 90
Rename	11/13	dr			
Modifications	Date	Name			2/2